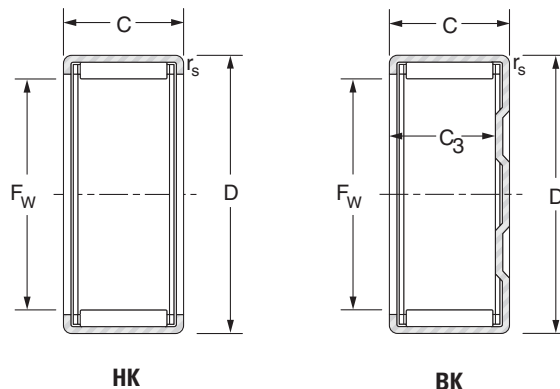


# Caged needle bushes

open series HK

closed end series BK



Shaft Ø mm	Designation	Fw mm	D mm	C mm	C <sub>3</sub> min. mm	r <sub>s</sub> min. mm	Load Ratings kN		Speed limit min <sup>-1</sup>		Weight kg	Internal ring
							Dynamic	Static	Grease	Oil		
							C	C <sub>0</sub>				
20	BK2012	20	26	12	9.3	1	8.97	12.5	11000	16000	0.017	JR15x20x12
	HK2012	20	26	12	—	1	8.97	12.5	11000	16000	0.015	JR15x20x12
	BK2016	20	26	16	13.3	1	12.40	18.90	11000	16000	0.024	JR17x20x16.5
	HK2016	20	26	16	—	1	12.40	18.90	11000	16000	0.022	JR17x20x16.5
	BK2020	20	26	20	17.3	1	15.50	25.30	11000	16000	0.027	JR17x20x20.5
	HK2020	20	26	20	—	1	15.90	26.20	11000	16000	0.025	JR17x20x20.5
	BK2030	20	26	30	27.3	1	21.20	37.80	11000	16000	0.043	JR17x20x30.5
	HK2030	20	26	30	—	1	21.20	37.80	11000	16000	0.041	JR17x20x30.5
22	BK2210	22	28	10	9.3	1	7.06	9.49	9600	15000	0.013	
	HK2210	22	28	10	—	1	7.06	9.49	9600	15000	0.013	
	BK2212	22	28	12	9.3	1	9.81	14.50	9600	15000	0.02	JR17x22x13
	HK2212	22	28	12	—	1	9.81	14.50	9600	15000	0.015	JR17x22x13
	BK2216	22	28	16	13.3	1	13.10	20.90	9600	15000	0.027	JR17x22x16
	HK2216	22	28	16	—	1	13.10	20.90	9600	15000	0.022	JR17x22x16
	BK2220	22	28	20	17.3	1	15.30	25.50	9600	15000	0.028	JR17x22x23
	HK2220	22	28	20	—	1	15.30	25.50	9600	15000	0.026	JR17x22x23
25	BK2512	25	32	12	9.3	1	10.90	14.70	8500	13000	0.025	
	HK2512	25	32	12	—	1	10.90	14.70	8500	13000	0.021	
	BK2516	25	32	16	13.3	1	15.60	23.50	8500	13000	0.031	JR20x25x17
	HK2516	25	32	16	—	1	15.60	23.50	8500	13000	0.028	JR20x25x17
	BK2520	25	32	20	17.3	1	20.60	33.40	8500	13000	0.043	JR20x25x20.5
	HK2520	25	32	20	—	1	20.60	33.40	8500	13000	0.040	JR20x25x20.5
	BK2526	25	32	26	23.3	1	25.70	44.40	8500	13000	0.051	JR20x25x26.5
	HK2526	25	32	26	—	1	25.70	44.40	8500	13000	0.046	JR20x25x26.5
	BK2538	25	32	38	35.3	1	35.30	66.90	8500	13000	0.077	JR20x25x38.5
HK2538	25	32	38	—	1	35.30	66.90	8500	13000	0.068	JR20x25x38.5	
28	BK2816	28	35	16	13.3	1	15.9	24.9	7500	12000	0.038	JR22x28x17
	HK2816	28	35	16	—	1	15.9	24.9	7500	12000	0.032	JR22x28x17
	BK2820	28	35	20	17.3	1	20.9	35.3	7500	12000	0.047	JR22x28x20.5
	HK2820	28	35	20	—	1	20.9	35.3	7500	12000	0.040	JR22x28x20.5